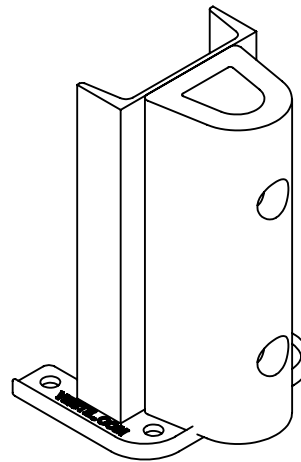
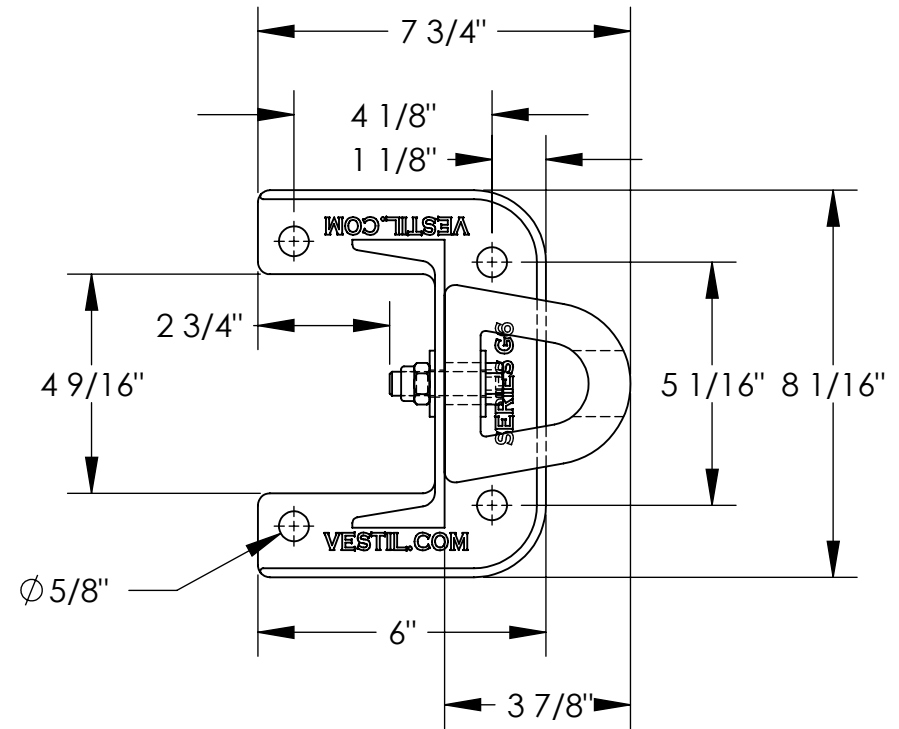
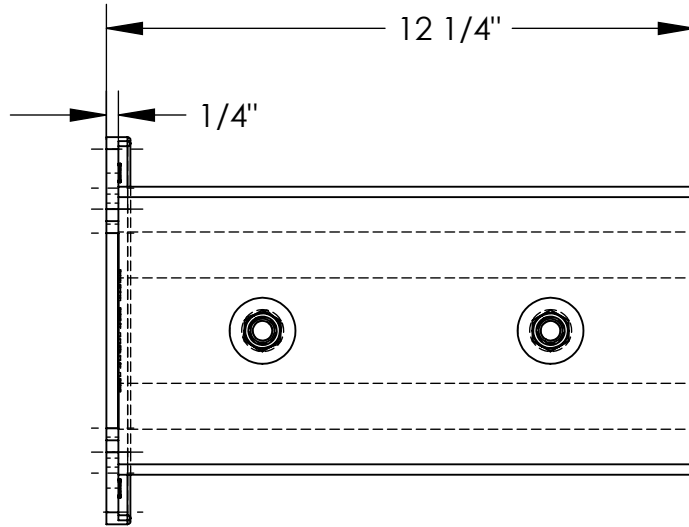


STRUCTURAL RACK GUARD WITH BUMPER - G6-12-B

APPROX WEIGHT: 14.69 lbs.
 DOES NOT INCLUDE WEIGHT OF POWER OR PACKAGING!!!

*** ANY ADDITIONS, DELETIONS, OR OMISSIONS MUST BE CORRECTED ON THIS DRAWING AS THIS DRAWING WILL BE CONSIDERED ALL INCLUSIVE ***

ALL GRAPHICS PROVIDED ARE FOR REFERENCE ONLY. IF CERTAIN DIMENSIONS ARE CRITICAL PLEASE VERIFY THOSE DIMENSIONS WITH YOUR SALESPERSON



3-D VIEW
 SCALE: 1:6

STANDARD FEATURES

- MODEL NUMBER IS G6-12-B
- OVERALL WIDTH IS 8 1/16"
- OVERALL LENGTH IS 7 3/4"
- OVERALL HEIGHT IS 12 1/4"
- USABLE WIDTH IS 4 9/16"
- CLEARANCE LENGTH IS 2 3/4"
- GUARD IS TOUGH BAKED IN POWDER COATED YELLOW FINISH
- BUMPER COLOR IS BLACK

SPECIAL FEATURES

NONE

DIMENSION TOLERANCE ± 1/2"

APPROVAL	I, THE UNDERSIGNED, AGREE THAT THE PRODUCT AS REPRESENTED SATISFIES DESIGN AND DIMENSION REQUIREMENTS. I ALSO ACKNOWLEDGE MY DUTY TO CONFIRM PRODUCT AND INSTALLATION COMPLIANCE WITH ALL APPLICABLE FEDERAL, STATE AND LOCAL REGULATIONS AND STANDARDS.	
	ANY MODIFIED UNITS ARE NON-RETURNABLE	
	[] As drawn [] As marked	
	Signed: _____	Date: _____
Printed Name: _____		
LEAD TIME WILL START UPON RECEIPT OF SIGNED APPROVAL DRAWING		

FOR INTERNAL USE ONLY PROJECT SIGN OFF	
SALES	
ENG.	
FAB.	
POWER	

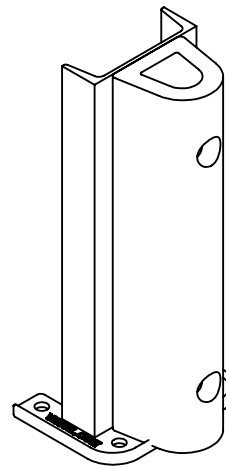
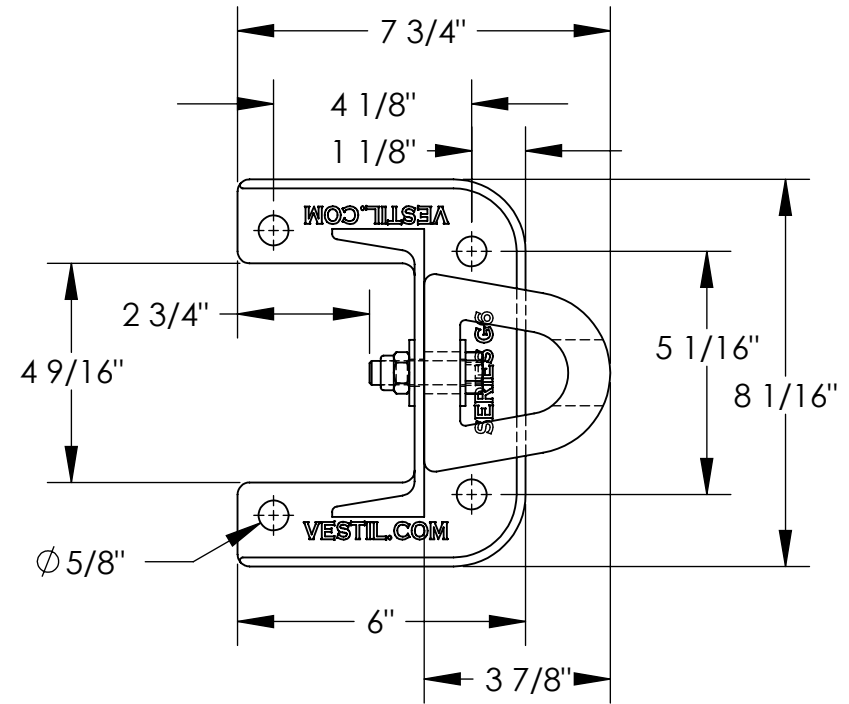
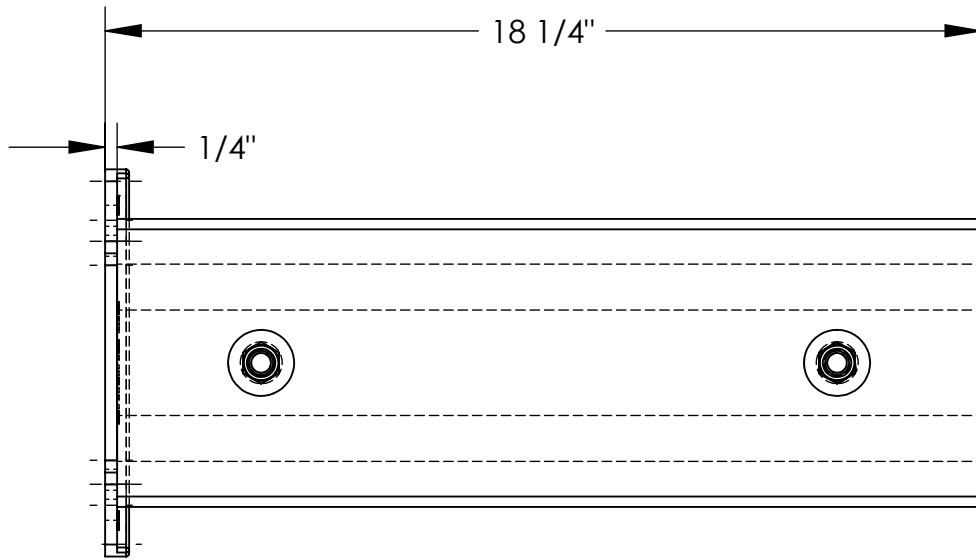
DISTRIBUTOR'S NAME:		P.O.#
HOF EQUIPMENT COMPANY		X
PH: 888.990.1150		W.O.#
		X
DRAWN BY: KJY	DATE: 7/30/2012	SALES: X
REFERENCE: X	SCALE: 1:4	FILE NAME:
QUOTED LEAD TIME: X	QUOTE # X	23-007-119

STRUCTURAL RACK GUARD WITH BUMPER - G6-18-B

APPROX WEIGHT: 20.67 lbs.
DOES NOT INCLUDE WEIGHT OF POWER OR PACKAGING!!!

*** ANY ADDITIONS, DELETIONS, OR OMISSIONS MUST BE CORRECTED ON THIS DRAWING AS THIS DRAWING WILL BE CONSIDERED ALL INCLUSIVE ***

ALL GRAPHICS PROVIDED ARE FOR REFERENCE ONLY. IF CERTAIN DIMENSIONS ARE CRITICAL PLEASE VERIFY THOSE DIMENSIONS WITH YOUR SALESPERSON



3-D VIEW
SCALE: 1:8

STANDARD FEATURES

MODEL NUMBER IS G6-18-B
OVERALL WIDTH IS 8 1/16"
OVERALL LENGTH IS 7 3/4"
OVERALL HEIGHT IS 18 1/4"
USABLE WIDTH IS 4 9/16"
CLEARANCE LENGTH IS 2 3/4"
GUARD IS TOUGH BAKED IN
POWDER COATED YELLOW FINISH
BUMPER COLOR IS BLACK

SPECIAL FEATURES

NONE

DIMENSION TOLERANCE $\pm 1/2"$

APPROVAL	I, THE UNDERSIGNED, AGREE THAT THE PRODUCT AS REPRESENTED SATISFIES DESIGN AND DIMENSION REQUIREMENTS. I ALSO ACKNOWLEDGE MY DUTY TO CONFIRM PRODUCT AND INSTALLATION COMPLIANCE WITH ALL APPLICABLE FEDERAL, STATE AND LOCAL REGULATIONS AND STANDARDS.	
	ANY MODIFIED UNITS ARE NON-RETURNABLE	
	[] As drawn [] As marked	
	Signed: _____	Date: _____
Printed Name: _____		
LEAD TIME WILL START UPON RECEIPT OF SIGNED APPROVAL DRAWING		

FOR INTERNAL USE ONLY PROJECT SIGN OFF	
SALES	
ENG.	
FAB.	
POWER	

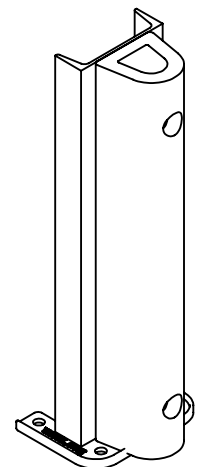
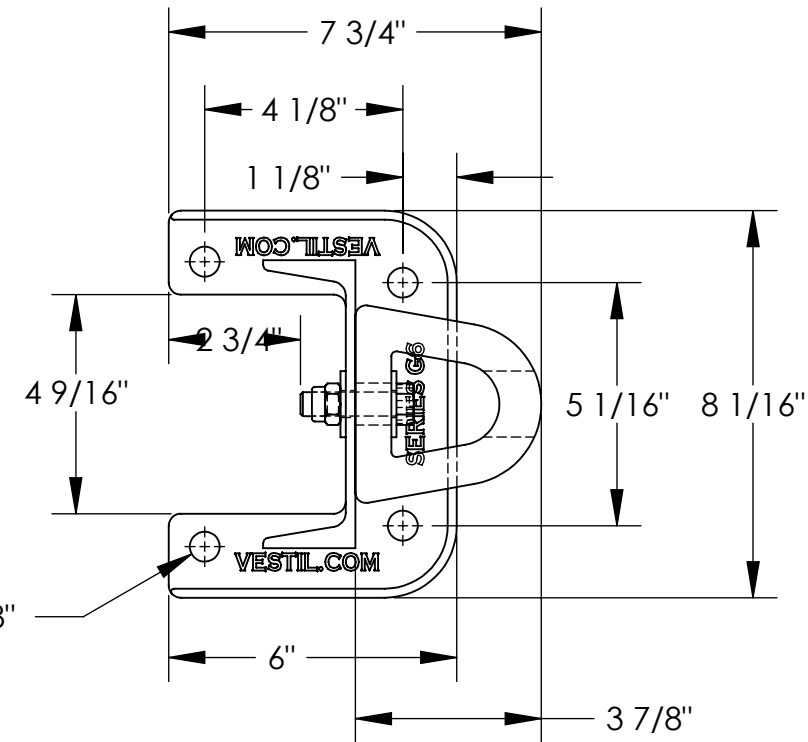
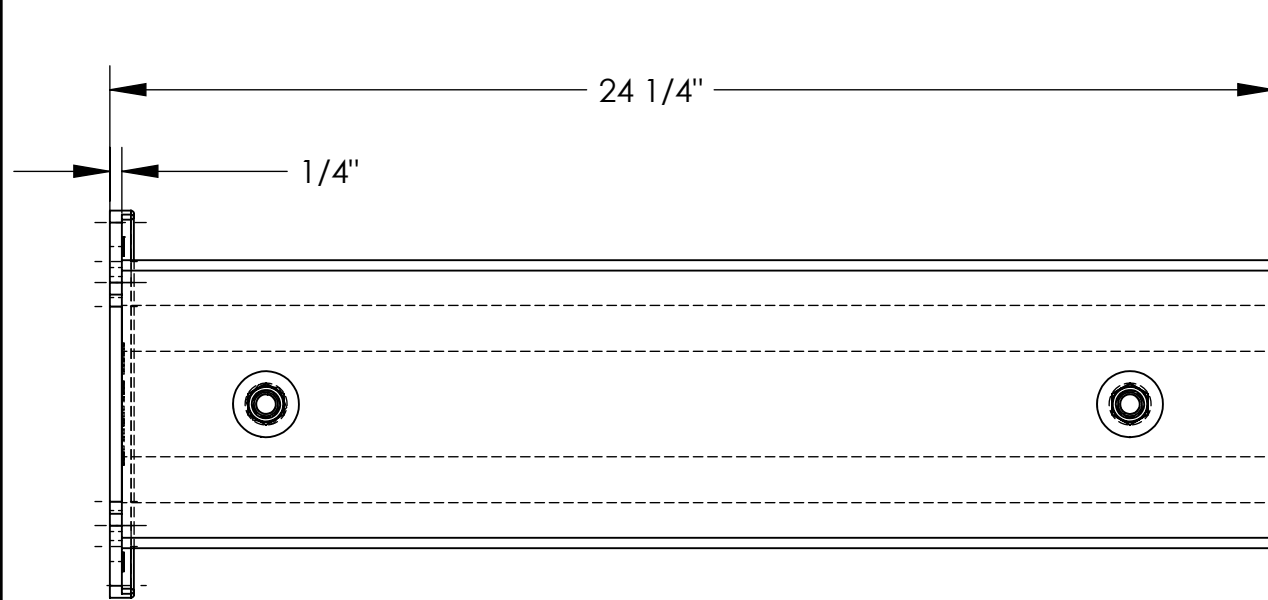
DISTRIBUTOR'S NAME:		P.O.#
HOF EQUIPMENT COMPANY		X
PH: 888.990.1150		W.O.#
		X
DRAWN BY: KJY	DATE: 7/30/2012	SALES: X
REFERENCE: X	SCALE: 1:4	FILE NAME:
QUOTED LEAD TIME: X	QUOTE # X	23-007-120

STRUCTURAL RACK GUARD WITH BUMPER - G6-24-B

APPROX WEIGHT: 26.65 lbs.
DOES NOT INCLUDE WEIGHT OF POWER OR PACKAGING!!!

*** ANY ADDITIONS, DELETIONS, OR OMISSIONS MUST BE CORRECTED ON THIS DRAWING AS THIS DRAWING WILL BE CONSIDERED ALL INCLUSIVE ***

ALL GRAPHICS PROVIDED ARE FOR REFERENCE ONLY. IF CERTAIN DIMENSIONS ARE CRITICAL PLEASE VERIFY THOSE DIMENSIONS WITH YOUR SALESPERSON



3-D VIEW
SCALE: 1:10

STANDARD FEATURES

- MODEL NUMBER IS G6-24-B
- OVERALL WIDTH IS 8 1/16"
- OVERALL LENGTH IS 7 3/4"
- OVERALL HEIGHT IS 24 1/4"
- USABLE WIDTH IS 4 9/16"
- CLEARANCE LENGTH IS 2 3/4"
- GUARD IS TOUGH BAKED IN POWDER COATED YELLOW FINISH
- BUMPER COLOR IS BLACK

SPECIAL FEATURES

NONE

DIMENSION TOLERANCE ± 1/2"

APPROVAL	I, THE UNDERSIGNED, AGREE THAT THE PRODUCT AS REPRESENTED SATISFIES DESIGN AND DIMENSION REQUIREMENTS. I ALSO ACKNOWLEDGE MY DUTY TO CONFIRM PRODUCT AND INSTALLATION COMPLIANCE WITH ALL APPLICABLE FEDERAL, STATE AND LOCAL REGULATIONS AND STANDARDS.	
	ANY MODIFIED UNITS ARE NON-RETURNABLE	
	[] As drawn [] As marked	
	Signed: _____	Date: _____
Printed Name: _____		
LEAD TIME WILL START UPON RECEIPT OF SIGNED APPROVAL DRAWING		

FOR INTERNAL USE ONLY PROJECT SIGN OFF	
SALES	
ENG.	
FAB.	
POWER	

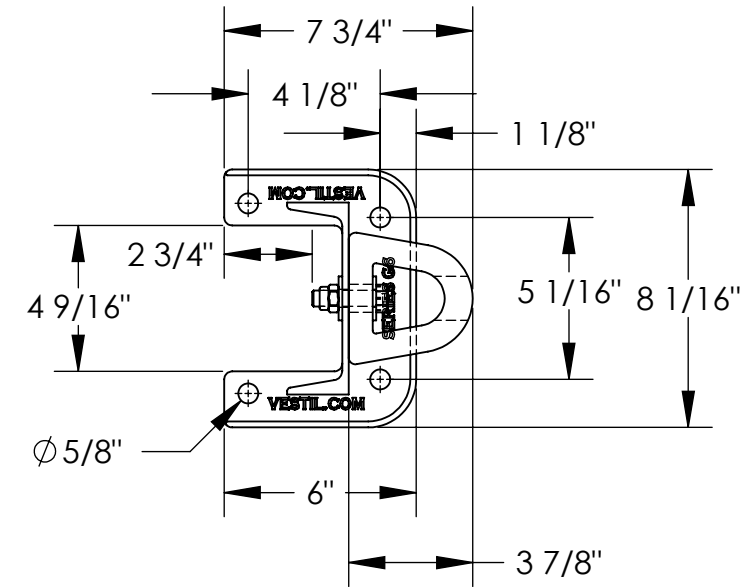
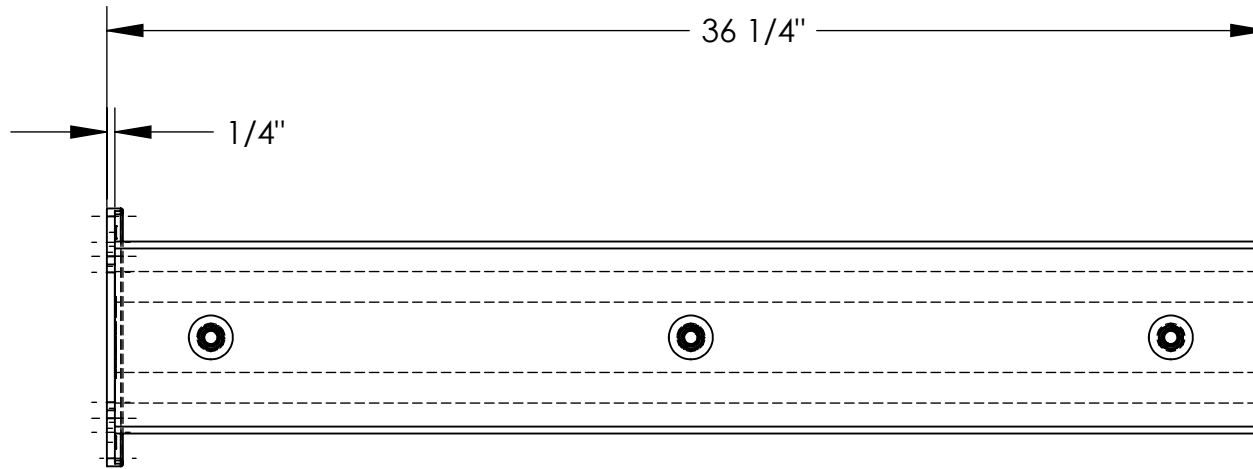
DISTRIBUTOR'S NAME:		P.O.#
HOF EQUIPMENT COMPANY		X
PH: 888.990.1150		W.O.#
		X
DRAWN BY: KJY	DATE: 7/30/2012	SALES: X
REFERENCE: X	SCALE: 1:4	FILE NAME:
QUOTED LEAD TIME: X	QUOTE # X	23-007-121

STRUCTURAL RACK GUARD WITH BUMPER - G6-36-B

APPROX WEIGHT: 38.82 lbs.
 DOES NOT INCLUDE WEIGHT OF POWER OR PACKAGING!!!

*** ANY ADDITIONS, DELETIONS, OR OMISSIONS MUST BE CORRECTED ON THIS DRAWING AS THIS DRAWING WILL BE CONSIDERED ALL INCLUSIVE ***

ALL GRAPHICS PROVIDED ARE FOR REFERENCE ONLY. IF CERTAIN DIMENSIONS ARE CRITICAL PLEASE VERIFY THOSE DIMENSIONS WITH YOUR SALESPERSON



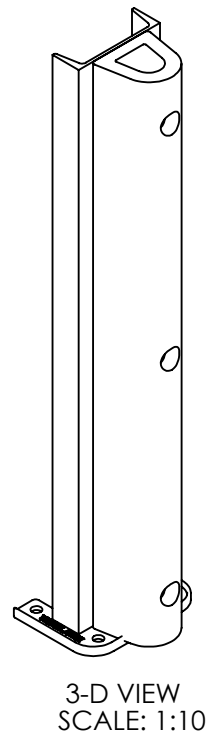
DIMENSION TOLERANCE $\pm 1/2$ "

STANDARD FEATURES

- MODEL NUMBER IS G6-36-B
- OVERALL WIDTH IS 8 1/16"
- OVERALL LENGTH IS 7 3/4"
- OVERALL HEIGHT IS 36 1/4"
- USABLE WIDTH IS 4 9/16"
- CLEARANCE LENGTH IS 2 3/4"
- GUARD IS TOUGH BAKED IN POWDER COATED YELLOW FINISH
- BUMPER COLOR IS BLACK

SPECIAL FEATURES

NONE



APPROVAL	I, THE UNDERSIGNED, AGREE THAT THE PRODUCT AS REPRESENTED SATISFIES DESIGN AND DIMENSION REQUIREMENTS. I ALSO ACKNOWLEDGE MY DUTY TO CONFIRM PRODUCT AND INSTALLATION COMPLIANCE WITH ALL APPLICABLE FEDERAL, STATE AND LOCAL REGULATIONS AND STANDARDS.	
	ANY MODIFIED UNITS ARE NON-RETURNABLE	
	[] As drawn [] As marked	
	Signed: _____	Date: _____
Printed Name: _____		
LEAD TIME WILL START UPON RECEIPT OF SIGNED APPROVAL DRAWING		

FOR INTERNAL USE ONLY PROJECT SIGN OFF	
SALES	
ENG.	
FAB.	
POWER	

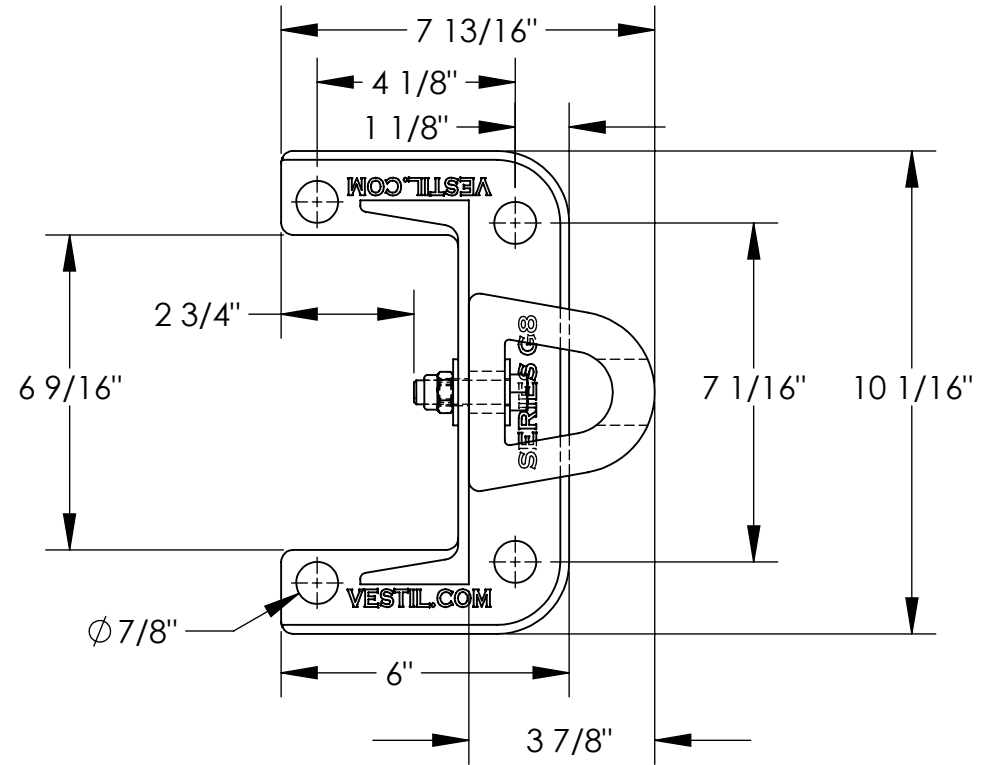
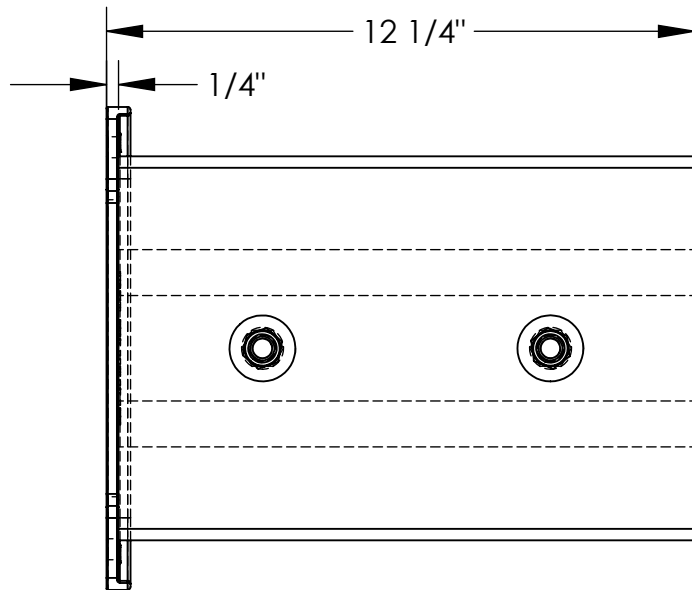
DISTRIBUTOR'S NAME:		P.O.#
HOF EQUIPMENT COMPANY		X
PH: 888.990.1150		W.O.#
		X
DRAWN BY: KJY	DATE: 7/30/2019	SALES: X
REFERENCE: X	SCALE: 1:6	FILE NAME:
QUOTED LEAD TIME: X	QUOTE # X	23-007-122

STRUCTURAL RACK GUARD WITH BUMPER - G8-12-B

APPROX WEIGHT: 18.25 lbs.
DOES NOT INCLUDE WEIGHT OF POWER OR PACKAGING!!!

*** ANY ADDITIONS, DELETIONS, OR OMISSIONS MUST BE CORRECTED ON THIS DRAWING AS THIS DRAWING WILL BE CONSIDERED ALL INCLUSIVE ***

ALL GRAPHICS PROVIDED ARE FOR REFERENCE ONLY. IF CERTAIN DIMENSIONS ARE CRITICAL PLEASE VERIFY THOSE DIMENSIONS WITH YOUR SALESPERSON

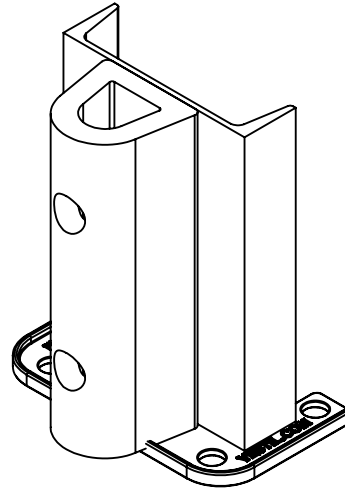


STANDARD FEATURES

- MODEL NUMBER: G8-12-B
- OVERALL LENGTH: 7 13/16"
- OVERALL WIDTH: 10 1/16"
- OVERALL HEIGHT: 12 1/4"
- USABLE WIDTH: 6 9/16"
- CLEARANCE LENGTH: 2 3/4"
- PLATE THICKNESS: 1/4"
- (4) Ø 7/8 HOLES
- FOR 3/4" DIA LAGS
- GUARD IS TOUGH BAKED IN POWDER COATED YELLOW FINISH
- BUMPER COLOR: BLACK

SPECIAL FEATURES

NONE



3D VIEW SCALE 1:6

DIMENSION TOLERANCE ± 1/2"

APPROVAL	I, THE UNDERSIGNED, AGREE THAT THE PRODUCT AS REPRESENTED SATISFIES DESIGN AND DIMENSION REQUIREMENTS. I ALSO ACKNOWLEDGE MY DUTY TO CONFIRM PRODUCT AND INSTALLATION COMPLIANCE WITH ALL APPLICABLE FEDERAL, STATE AND LOCAL REGULATIONS AND STANDARDS.	
	ANY MODIFIED UNITS ARE NON-RETURNABLE	
	[] As drawn [] As marked	
Signed: _____	Date: _____	
Printed Name: _____		
LEAD TIME WILL START UPON RECEIPT OF SIGNED APPROVAL DRAWING		

FOR INTERNAL USE ONLY PROJECT SIGN OFF	
SALES	
ENG.	
FAB.	
POWER	

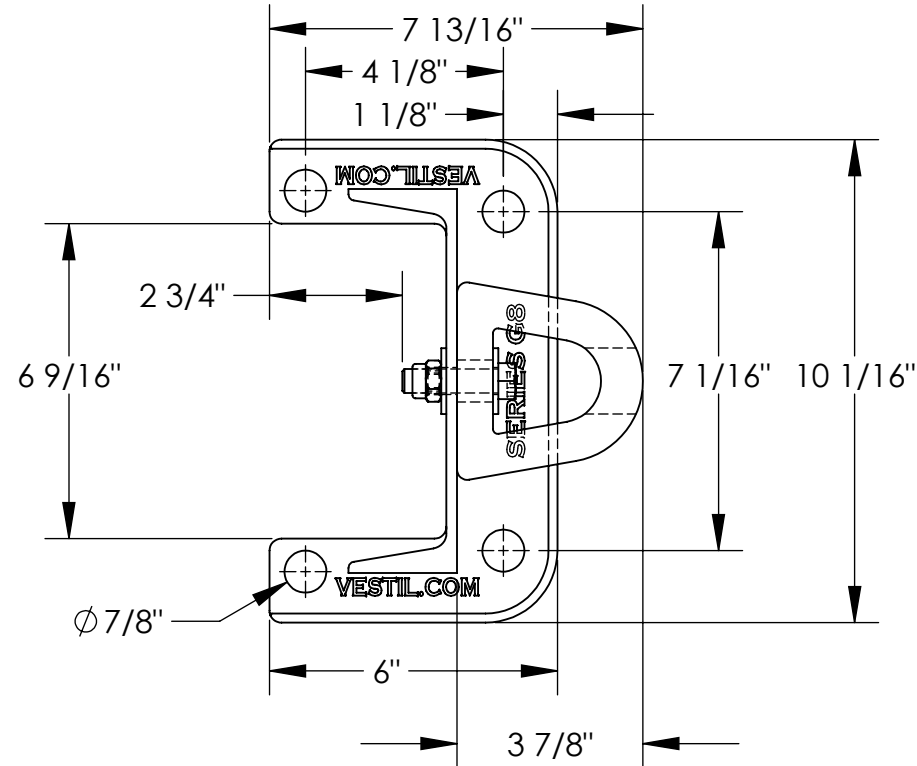
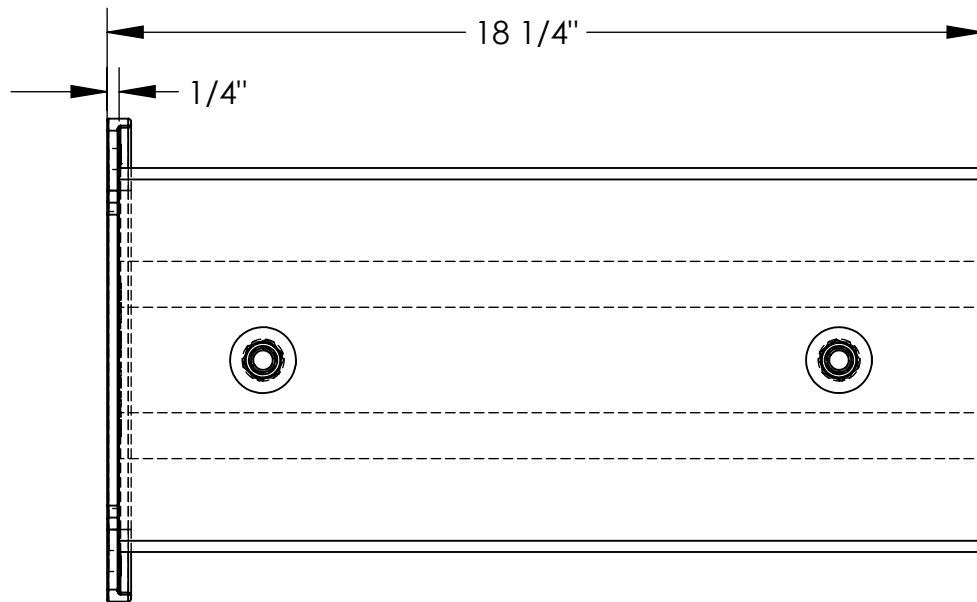
DISTRIBUTOR'S NAME:		P.O.#
HOF EQUIPMENT COMPANY		X
PH: 888.990.1150		W.O.#
		X
DRAWN BY: QW	DATE: 8/10/2006	SALES: X
REFERENCE: X	SCALE: 1:4	FILE NAME:
QUOTED LEAD TIME: X	QUOTE # X	23-007-123

STRUCTURAL RACK GUARD WITH BUMPER - G8-18-B

APPROX WEIGHT: 25.88 lbs.
DOES NOT INCLUDE WEIGHT OF POWER OR PACKAGING!!!

*** ANY ADDITIONS, DELETIONS, OR OMISSIONS MUST BE CORRECTED ON THIS DRAWING AS THIS DRAWING WILL BE CONSIDERED ALL INCLUSIVE ***

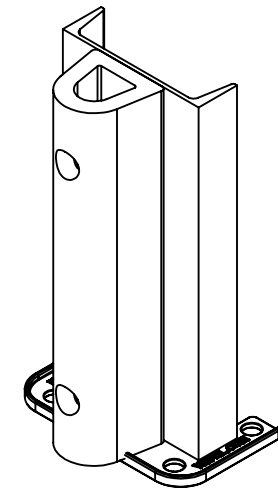
ALL GRAPHICS PROVIDED ARE FOR REFERENCE ONLY. IF CERTAIN DIMENSIONS ARE CRITICAL PLEASE VERIFY THOSE DIMENSIONS WITH YOUR SALESPERSON



DIMENSION TOLERANCE $\pm 1/2"$

STANDARD FEATURES

- MODEL NUMBER: G8-18-B
- OVERALL LENGTH: 7 13/16"
- OVERALL WIDTH: 10 1/16"
- OVERALL HEIGHT: 18 1/4"
- USABLE WIDTH: 6 9/16"
- CLEARANCE LENGTH: 2 3/4"
- PLATE THICKNESS: 1/4"
- (4) $\phi 7/8$ HOLES
- FOR 3/4" DIA LAGS
- GUARD IS TOUGH BAKED IN POWDER COATED YELLOW FINISH
- BUMPER COLOR: BLACK



3D VIEW SCALE 1:8

SPECIAL FEATURES

NONE

APPROVAL	I, THE UNDERSIGNED, AGREE THAT THE PRODUCT AS REPRESENTED SATISFIES DESIGN AND DIMENSION REQUIREMENTS. I ALSO ACKNOWLEDGE MY DUTY TO CONFIRM PRODUCT AND INSTALLATION COMPLIANCE WITH ALL APPLICABLE FEDERAL, STATE AND LOCAL REGULATIONS AND STANDARDS.	
	ANY MODIFIED UNITS ARE NON-RETURNABLE	
	[] As drawn [] As marked	
	Signed: _____	Date: _____
Printed Name: _____		
LEAD TIME WILL START UPON RECEIPT OF SIGNED APPROVAL DRAWING		

FOR INTERNAL USE ONLY PROJECT SIGN OFF	
SALES	
ENG.	
FAB.	
POWER	

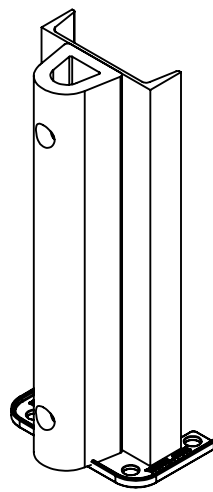
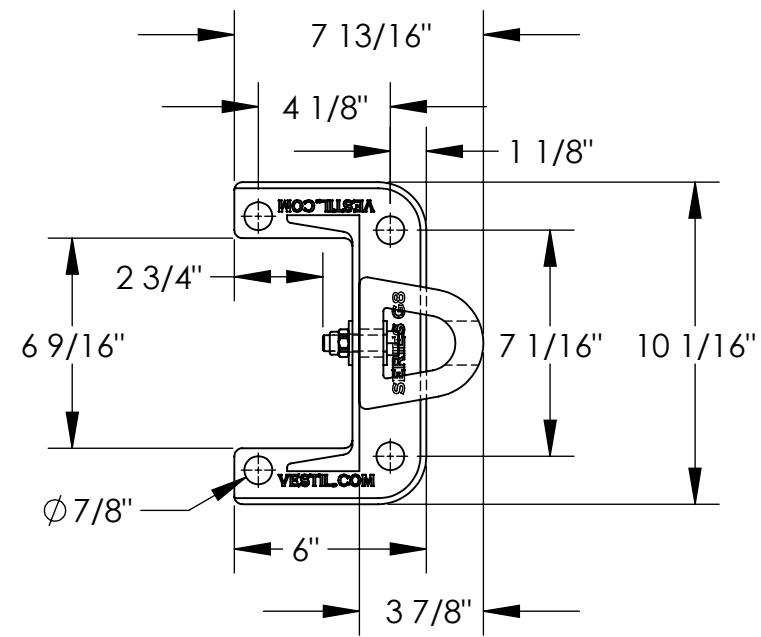
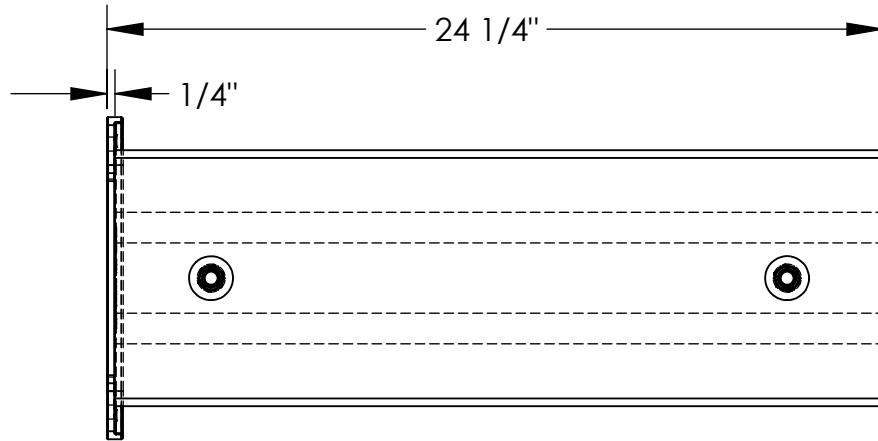
DISTRIBUTOR'S NAME:		P.O.#
HOF EQUIPMENT COMPANY		X
PH: 888.990.1150		W.O.#
		X
DRAWN BY: QW	DATE: 8/10/2006	SALES: X
REFERENCE: X	SCALE: 1:4	FILE NAME:
QUOTED LEAD TIME: X	QUOTE # X	23-007-124

STRUCTURAL RACK GUARD WITH BUMPER - G8-24-B

APPROX WEIGHT: 33.51 lbs.
DOES NOT INCLUDE WEIGHT OF POWER OR PACKAGING!!!

*** ANY ADDITIONS, DELETIONS, OR OMISSIONS MUST BE CORRECTED ON THIS DRAWING AS THIS DRAWING WILL BE CONSIDERED ALL INCLUSIVE ***

ALL GRAPHICS PROVIDED ARE FOR REFERENCE ONLY. IF CERTAIN DIMENSIONS ARE CRITICAL PLEASE VERIFY THOSE DIMENSIONS WITH YOUR SALESPERSON



3D VIEW SCALE 1:10

STANDARD FEATURES

- MODEL NUMBER: G8-24-B
- OVERALL LENGTH: 7 13/16"
- OVERALL WIDTH: 10 1/16"
- OVERALL HEIGHT: 24 1/4"
- USABLE WIDTH: 6 9/16"
- CLEARANCE LENGTH: 2 3/4"
- PLATE THICKNESS: 1/4"
- (4) Ø 7/8 HOLES
- FOR 3/4" DIA LAGS
- GUARD IS TOUGH BAKED IN POWDER COATED YELLOW FINISH
- BUMPER COLOR: BLACK

SPECIAL FEATURES

NONE

DIMENSION TOLERANCE ± 1/2"

APPROVAL	I, THE UNDERSIGNED, AGREE THAT THE PRODUCT AS REPRESENTED SATISFIES DESIGN AND DIMENSION REQUIREMENTS. I ALSO ACKNOWLEDGE MY DUTY TO CONFIRM PRODUCT AND INSTALLATION COMPLIANCE WITH ALL APPLICABLE FEDERAL, STATE AND LOCAL REGULATIONS AND STANDARDS.	
	ANY MODIFIED UNITS ARE NON-RETURNABLE	
	[] As drawn [] As marked	
Signed: _____		Date: _____
Printed Name: _____		
LEAD TIME WILL START UPON RECEIPT OF SIGNED APPROVAL DRAWING		

FOR INTERNAL USE ONLY PROJECT SIGN OFF	
SALES	
ENG.	
FAB.	
POWER	

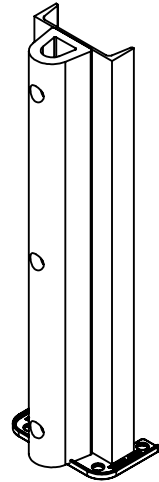
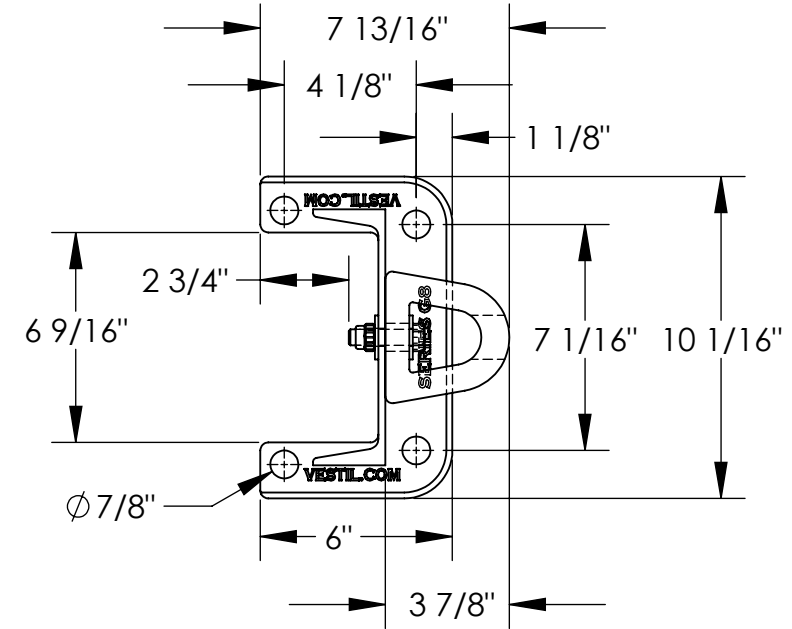
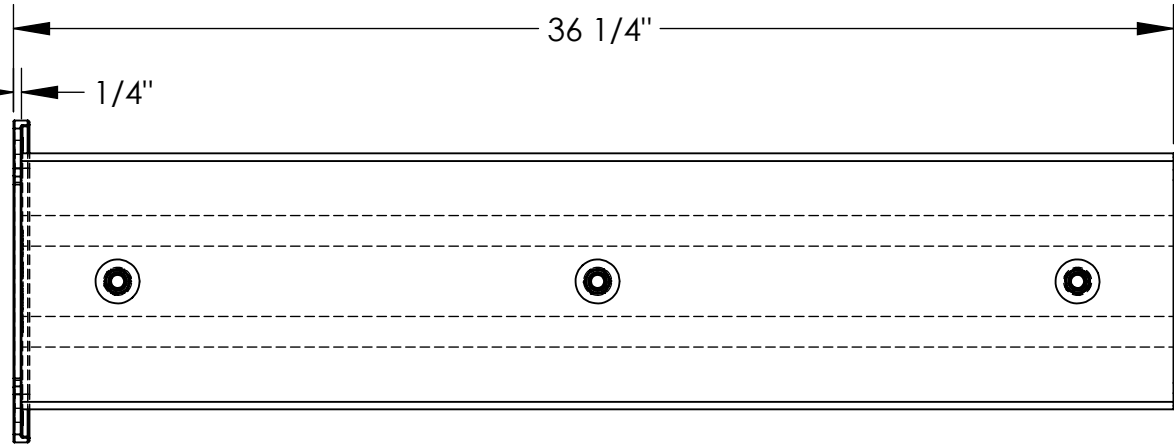
DISTRIBUTOR'S NAME:		P.O.#
HOF EQUIPMENT COMPANY		X
PH: 888.990.1150		W.O.#
DRAWN BY: QW		X
DATE: 8/10/2006		SALES: X
REFERENCE: X	SCALE: 1:6	FILE NAME:
QUOTED LEAD TIME: X	QUOTE # X	23-007-125

STRUCTURAL RACK GUARD WITH BUMPER - G8-36-B

APPROX WEIGHT: 48.97 lbs.
 DOES NOT INCLUDE WEIGHT OF POWER OR PACKAGING!!!

*** ANY ADDITIONS, DELETIONS, OR OMISSIONS MUST BE CORRECTED ON THIS DRAWING AS THIS DRAWING WILL BE CONSIDERED ALL INCLUSIVE ***

ALL GRAPHICS PROVIDED ARE FOR REFERENCE ONLY. IF CERTAIN DIMENSIONS ARE CRITICAL PLEASE VERIFY THOSE DIMENSIONS WITH YOUR SALESPERSON



3D VIEW SCALE 1:14

STANDARD FEATURES

- MODEL NUMBER: G8-36-B
- OVERALL LENGTH: 7 13/16"
- OVERALL WIDTH: 10 1/16"
- OVERALL HEIGHT: 36 1/4"
- USABLE WIDTH: 6 9/16"
- CLEARANCE LENGTH: 2 3/4"
- PLATE THICKNESS: 1/4"
- (4) Ø 7/8 HOLES
- FOR 3/4" DIA LAGS
- GUARD IS TOUGH BAKED IN POWDER COATED YELLOW FINISH
- BUMPER COLOR: BLACK

SPECIAL FEATURES

NONE

DIMENSION TOLERANCE ± 1/2"

APPROVAL	I, THE UNDERSIGNED, AGREE THAT THE PRODUCT AS REPRESENTED SATISFIES DESIGN AND DIMENSION REQUIREMENTS. I ALSO ACKNOWLEDGE MY DUTY TO CONFIRM PRODUCT AND INSTALLATION COMPLIANCE WITH ALL APPLICABLE FEDERAL, STATE AND LOCAL REGULATIONS AND STANDARDS.	
	ANY MODIFIED UNITS ARE NON-RETURNABLE	
	[] As drawn [] As marked	
	Signed: _____	Date: _____
Printed Name: _____		
LEAD TIME WILL START UPON RECEIPT OF SIGNED APPROVAL DRAWING		

FOR INTERNAL USE ONLY PROJECT SIGN OFF	
SALES	
ENG.	
FAB.	
POWER	

DISTRIBUTOR'S NAME:		P.O.#
HOF EQUIPMENT COMPANY		X
PH: 888.990.1150		W.O.#
		X
DRAWN BY: QW	DATE: 8/10/2006	SALES: X
REFERENCE: X	SCALE: 1:6	FILE NAME:
QUOTED LEAD TIME: X	QUOTE # X	23-007-126